



# Paper Cutters

## Cutter 842

Cut: 17"

Capacity: 200 sheets

Table Size: 28" x 23 1/4"

Floor stand is optional



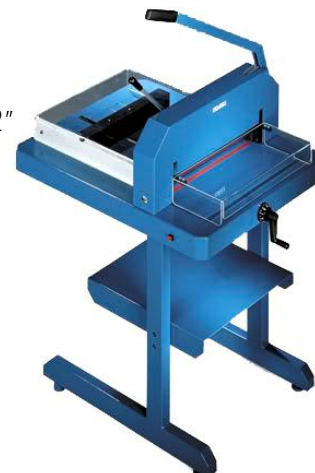
## Cutter 848

Cut: 18 1/2"

Capacity: 700 sheets

Table Size: 27 1/2" x 32"

Floor stand is optional



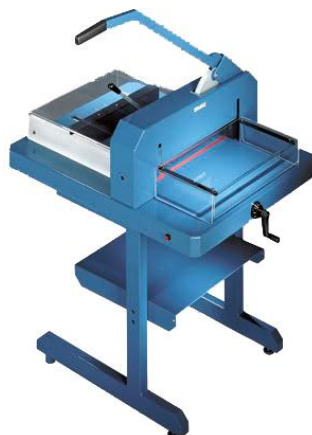
## Cutter 846

Cut: 17"

Capacity: 500 Sheets

Table Size: 30" x 25 1/2"

Floor stand is optional



518 Cheyenne Drive  
Jefferson City, MO 65109  
573-893-4545

For additional information:

1-800-392-0251

[www.kopi.ws](http://www.kopi.ws)

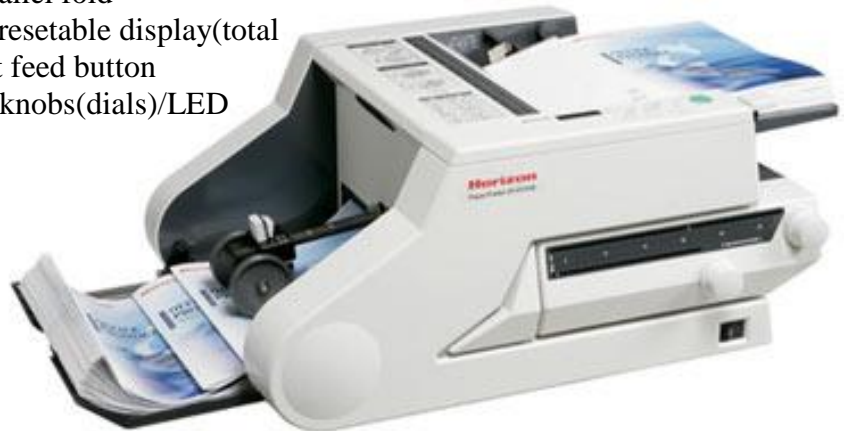
[sales@kopi.ws](mailto:sales@kopi.ws)

Authorized Dealer

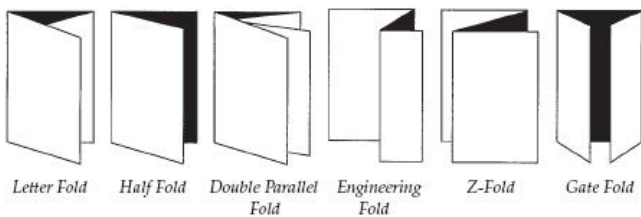
**LANIER**

## PF-P3100

<b>Maximum Sheet Size:</b>	11.88" x 17"
<b>Minimum Sheet Size:</b>	2.56" x 4.26"
<b>Stock Weight:</b>	16 lb. bond to 80 lb. text
<b>Feed Tray Capacity:</b>	Up to 60 lb. cover/157gsm (only fold with high speed mode)*
<b>Preset Sheet Sizes:</b>	1.18" (approx. 300 sheets)
<b>Preset Fold Formats:</b>	5.5" x 8.5", 8.5" x 11", 8.5" x 14", 11" x 17"
<b>Counter:</b>	letter, z-fold, gate fold, half fold, engineering fold, double parallel fold
<b>Test Feed Control:</b>	fold, double parallel fold
<b>Fold Plate Controls:</b>	LCD four-digit resettable display(total) Single sheet test feed button Manual control knobs(dials)/LED indicator



### Preset Fold Formats



<b>Speed Settings:</b>	Quiet, Medium and High
<b>High Speed: *</b>	Up to 240 sheets/min. (8 1/2 x 11) Up to 180 sheets/min. (11 x 17)
<b>Medium Speed: *</b>	Up to 140 sheets/min. (8 1/2 x 11) Up to 108 sheets/min. (11 x 17)
<b>Quiet Speed: *</b>	Up to 84 sheets/min. (8 1/2 x 11) Up to 60 sheets/min. (11 x 17)



518 Cheyenne Drive  
Jefferson City, MO 65109  
573-893-4545

**For additional information:**  
**1-800-392-0251**  
[www.kopi.ws](http://www.kopi.ws)  
[sales@kopi.ws](mailto:sales@kopi.ws)

Authorized Dealer  
**LANIER**